

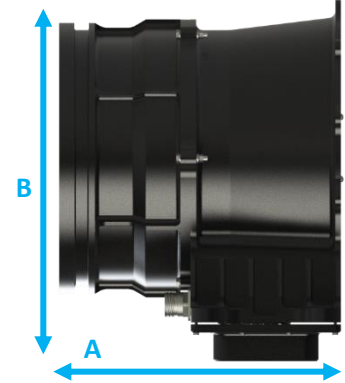
Force 215

Product Description

Xcelaero's Force series of fans are optimized for cost and performance. The Force fans are vane axial fans designed to be robust, light weight, compact and low noise for the aerospace and defense market. The fans in this series can provide between 150 cfm and 3,400 cfm of flow. The fans are available with a variety of motors and can run off AC or DC power. If an existing fan does not meet your requirements, Xcelaero can design a custom fan for your application.

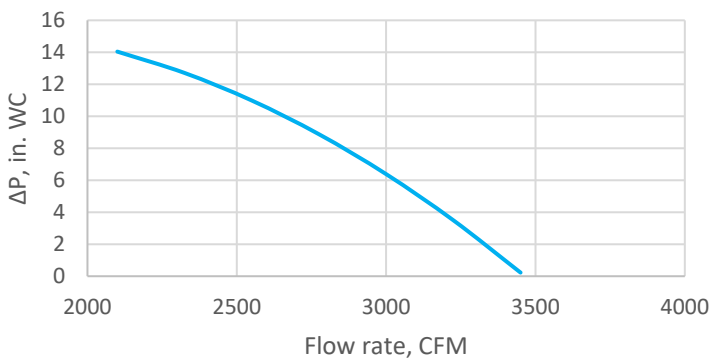
Specifications

Operating shaft speed	11,500 rpm
Max flow rate	3,450 cfm
Max ΔP	14.0 in. WC
Max power	5.6 kW
Weight	26 lbs
Overall Length (A)	9.9 inches
Overall Height (B)	12.7 inches
Overall Width (C)	13.9 inches



Force 215 Performance Curve

$$\rho = 0.075 \text{ lb}/[\text{ft}]^3$$



Force 215 Input Power Curve

$$\rho = 0.075 \text{ lb}/[\text{ft}]^3$$

